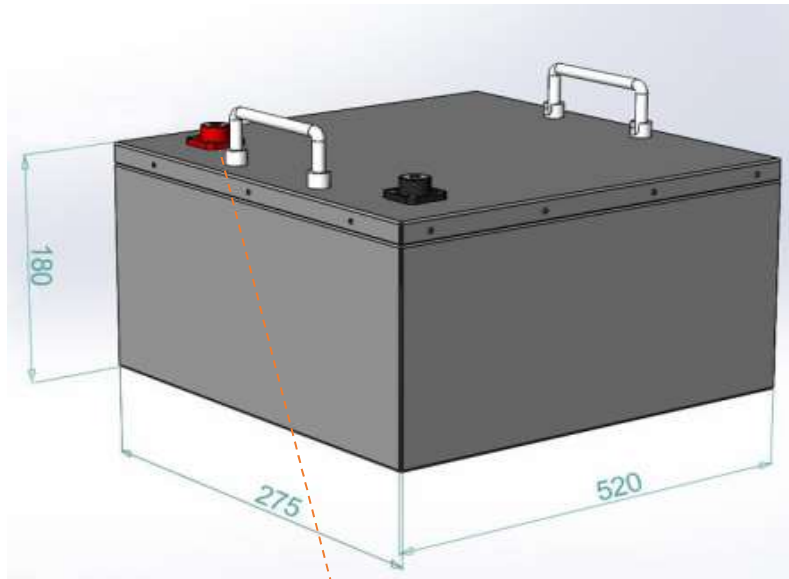




64 VOLT | 75 AMP HOUR



Cell Type	LiFePO4, Cylindrical 15AH, 20S5P
Energy	4.50KWH
Nominal Capacity	75Ah
Nominal Voltage	60V
Voltage range	52V-73V
BMS (Battery Management System)	Built-in BMS-20S-70A
Charge Current	20A suggested, 70A Max
Continuous Discharge Current	70A
Peak Discharge Current	150A ($\leq 2S$)
SOC LCD Display	YES, customizable
Communication Port	No, customizable
Battery Case	SPCC Metal, Black
Dimension	L520*W180*H275mm
Net Weight	Approx. 40kg
Operating temperature	Charging: 0°C- 55°C Discharging: -20°C- 55°C
Storage temperature	Around -20°C – 35°C
Standard environmental condition	Temperature: 25±2°C Humidity: 45-75%RH Atmospheric Pressure: 86-106 KPA



Connection Cables, Communication Cable, & Heavy Duty Screw In Terminals On Every Battery.