

## 12.8 VOLT 100 AMP HOUR



UN38.3 CE  MSDS

### ELECTRICAL SPECIFICATIONS

Nominal Voltage	12.8V
Nominal Capacity	100Ah
Capacity @ 20A	300min
Energy	1280Wh
Resistance	≤30mΩ @ 50% SOC
Efficiency	99%
Self Discharge	≤3.5% Per Month
Maximum Modules in Series or Parallel	4

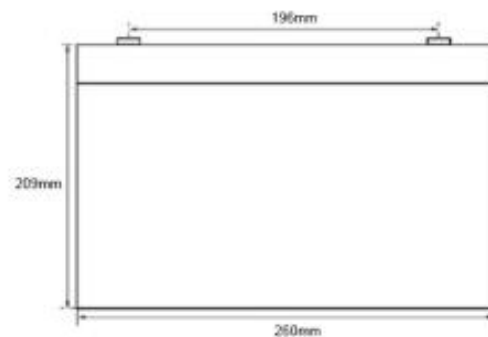
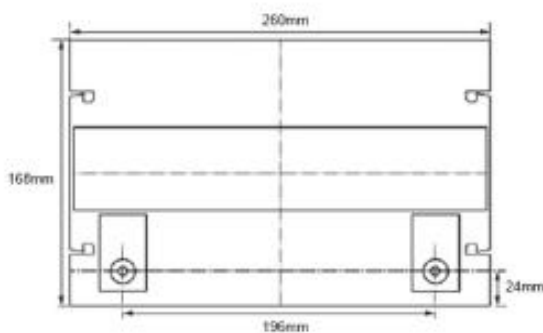
### DISCHARGE SPECIFICATIONS

Maximum Continuous Discharge Current	100A
Peak Discharge Current	260A≤5s
BMS Discharge Current Cut-off	300A±50A [2.2±1ms]
Recommend Low Voltage Disconnect	8.8V
BMS Discharge Voltage Cut-off	8.8V[2.2±0.08 vpc] [100±50ms]
Reconnect Voltage	10V[2.5±0.1vpc]
Short Circuit Protection	200-400μs

### TEMPERATURE SPECIFICATIONS

Discharge Temperature	-4 to 140°F[-20 to 60°C]
Charge Temperature	32 to 113°F[0 to 45°C]
Storage Temperature	23 to 95°F[-5 to 35°C]
BMS High Temperature Cut-off Discharge	149°F[65°C][Customized]
Reconnect Temperature	122°F[50°C][Customized]
Low Temperature Cut-off Charge	32°F[0°C][Customized]
High Temperature Cut-off Charge	129.2°F[54°C][Customized]

### DIMENSIONAL SPECIFICATIONS



### MECHANICAL SPECIFICATIONS

Dimensions[L*W*H]	260*168*209mm
Weight	12KG
Terminal Type	M8/M6
Case Material	ABS
Enclosure Protection	IP55
Cell Type	Prismatic
Chemistry	LiFePo4
Configuration	4S1P

### CHARGE SPECIFICATIONS

Remomend Charge Current	5A- 50A
Maximum Charge Current	100A
Recommend Charge Voltage	14.2-14.6V
BMS Charge Voltage Cut-off	15.0V[3.75±0.1V]
Reconnect Voltage	14.6V[3.65±0.1V]
Balancing Voltage	14.0V[3.5±0.025vpc]
Balancing Current	35±5mA

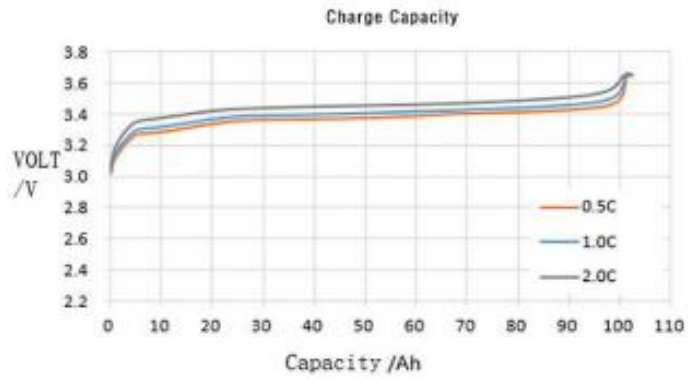
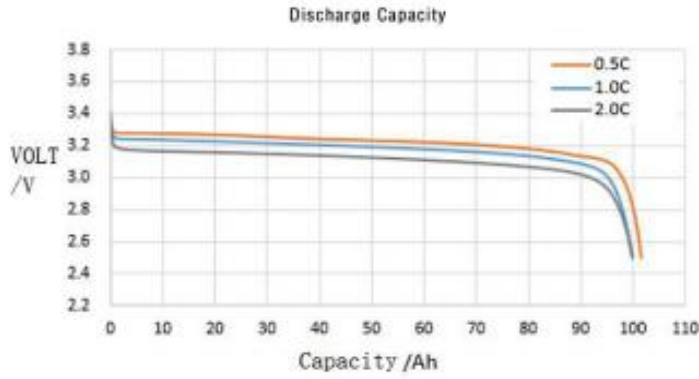
### COMPLIANCE SPECIFICATIONS

Certifications CE[Battery],UN38.3[Battery]  
IEC62133[cell]

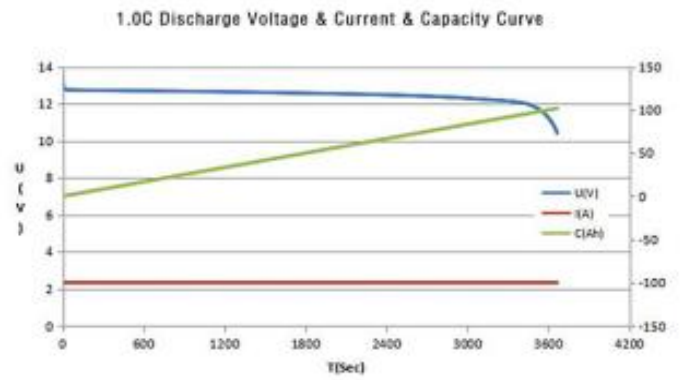
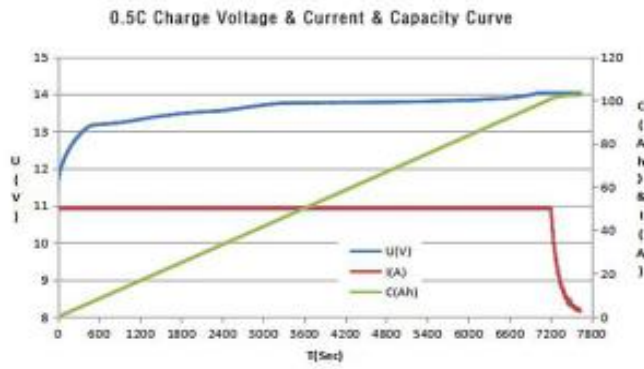
Shipping Classification UN3480,CLASS9

**PERFORMANCE SPECIFICATIONS**

**Charge/Discharge Capacity At Different Rates for cell [ Room Temperatue]**



**Charge/Discharge Capacity At Different Rates for Battery Pack [ Room Temperatue]**



# 12.8 VOLT 200 AMP HOUR



## ELECTRICAL SPECIFICATIONS

Nominal Voltage	12.8V
Nominal Capacity	200Ah
Capacity @ 20A	600min
Energy	2560Wh
Resistance	≤30mΩ @ 50% SOC
Efficiency	99%
Self Discharge	≤3.5% Per Month
Maximum Modules in Series or Parallel	4

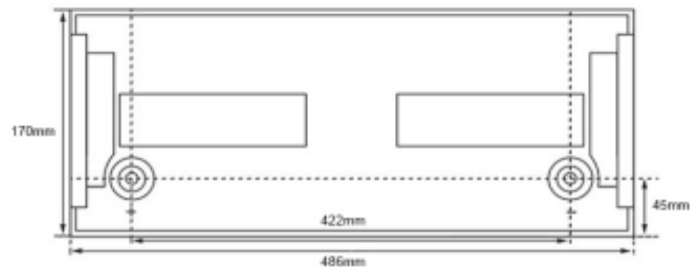
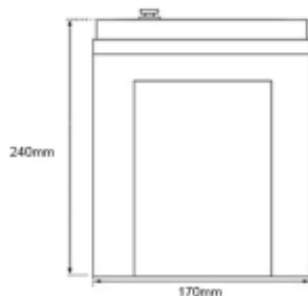
## DISCHARGE SPECIFICATIONS

Maximum Continuous Discharge Current	100A
Peak Discharge Current	260A≤5s
BMS Discharge Current Cut-off	300A±50A [2.2±1ms]
Recommend Low Voltage Disconnect	8.8V
BMS Discharge Voltage Cut-off	8.8V[2.2±0.08 vpc] [100±50ms]
Reconnect Voltage	10V[2.5±0.1vpc]
Short Circuit Protection	200-400μs

## TEMPERATURE SPECIFICATIONS

Discharge Temperature	-4 to 140°F[-20 to 60°C]
Charge Temperature	32 to 113°F[0 to 45°C]
Storage Temperature	23 to 95°F[-5 to 35°C]
BMS High Temperature Cut-off Discharge	149°F[65°C][Customized]
Reconnect Temperature	122°F[50°C][Customized]
Low Temperature Cut-off Charge	32°F[0°C][Customized]
High Temperature Cut-off Charge	129.2°F[54°C][Customized]

## DIMENSIONAL SPECIFICATIONS



## MECHANICAL SPECIFICATIONS

Dimensions[L*W*H]	486*170*240mm
Weight	22KG
Terminal Type	M8
Case Material	ABS
Enclosure Protection	IP55
Cell Type	Prismatic
Chemistry	LiFePo4
Configuration	4S2P

## CHARGE SPECIFICATIONS

Remomend Charge Current	5A- 50A
Maximum Charge Current	100A
Recommend Charge Voltage	14.2-14.6V
BMS Charge Voltage Cut-off	15.0V[3.75±0.1V]
Reconnect Voltage	14.6V[3.65±0.1V]
Balancing Voltage	14.0V[3.5±0.025vpc]
Balancing Current	35±5mA

## COMPLIANCE SPECIFICATIONS

Certifications	CE[Battery].UN38.3[Battery] IEC62133[cell]
Warranty	5 YEARS
Shipping Classification	UN3480,CLASS9

# 12.8 VOLT 300 AMP HOUR



## ELECTRICAL SPECIFICATIONS

Nominal Voltage	12.8V
Nominal Capacity	300Ah
Capacity @ 20 A	900min
Energy	3840Wh
Resistance	$\leq 30\text{ m}\Omega$ @ 50% SOC
Efficiency	99%
Self Discharge	<3.5% per Month
Maximum Modules in Series Or Parallel	6

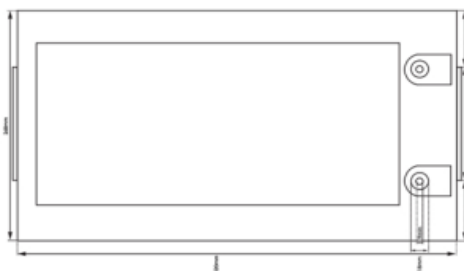
## DISCHARGE SPECIFICATIONS

Maximum Continuous Discharge Current	100A
Peak Discharge Current	260 A ( $\leq 5\text{ s}$ )
BMS Discharge Current Cut-Off	300A±50A(2.2 ±1 ms)
Recommended Low Voltage Disconnect	8V
BMS Discharge Voltage Cut-Off	8 V (2.0 ±0.08 vpc) (100 ±50 ms)
Reconnect Voltage	10V (2.5 ±0.1 vpc)
Short Circuit Protection	200-400 $\mu\text{s}$

## TEMPERATURE SPECIFICATIONS

Discharge Temperature	-4 to 140 °F (-20 to 60 °C)
Charge Temperature	32 to 113 °F (0 to 45 °C)
Storage Temperature	23 to 95 °F (-5 to 35 °C)
BMS High Temperature Cut-Off (discharge)	149 °F (65 °C)(Customized)
Reconnect Temperature	122 °F (50 °C)(Customized)
Low Temperature Cut-Off (Charge)	32 °F (0 °C)(Customized)
High Temperature Cut-Off (Charge)	129.2 °F (54 °C)(Customized)

## DIMENSIONAL SPECIFICATIONS



## MECHANICAL SPECIFICATIONS

Dimensions (L x W x H)	520*268*220 mm
Weight	28KG
Terminal Type	M8
Case Material	ABS
Enclosure Protection	IP54
Cell Type	Prismatic
Chemistry	LiFePO4
Configuration	4S2P

## CHARGE SPECIFICATIONS

Recommended Charge Current	50A
Maximum Charge Current	100A
Recommended Charge Voltage	14.6V
BMS Charge Voltage Cut-Off	14.6V(3.65±0.1V)
Reconnect Voltage	14.2V(3.55±0.1V)
Balancing Voltage	14.0V (3.5 ±0.025 vpc)
Balancing Current	30 ±5 mA

## COMPLIANCE SPECIFICATIONS

Certifications	CE (battery) UN38.3 (battery) UL1973 & IEC62133 (cells)
Shipping Classification	UN 3480, CLASS 9

